



archiproducts
DESIGN AWARDS
—
WINNER 2018

Available top finishes:
MFC (available also with FSC® certification on demand)
MFC 3D
Perfect Sense MDF
Writable Laminate

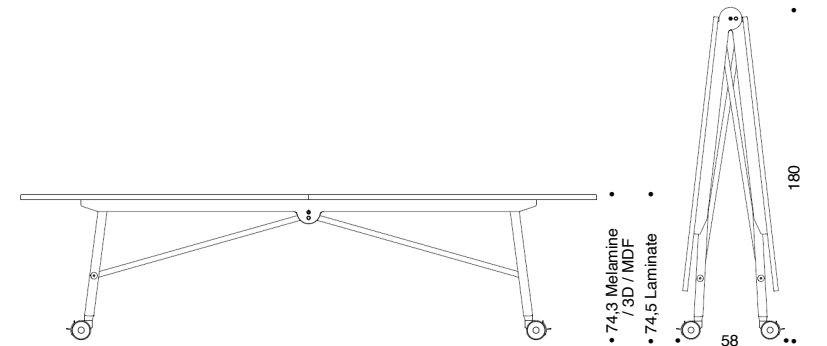
Black nylon linking device to join tabletops (optional).

Safety pin.

Steel box for 4 or 6 module with electrical and/or multimedia system. Available with cable management. (optional). See pag. 6

Swivel castor with kick pedal brake \varnothing 100 mm, polyamide support and thermoplastic rubber.

Elliptical steel pipe leg 60x30mm.



- 74,3 Melamine / 3D / MDF
- 74,5 Laminate

Structure Finishes



Matt epoxy powder painting
Available 3 finishing:
Black RAL9005
Grey RAL9006
White RAL9003



Matt epoxy powder painting
Available 3 new finishing:
Dark green PD6813 (similar RAL6028)
Ivory RAL1015
Coral 34699 (similar RAL3016)

Top Finishes

MFC
th.18 mm
edge in ABS th.2 mm



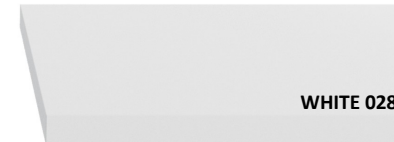
MFC 3D
th.18 mm
edge in ABS th.1 mm



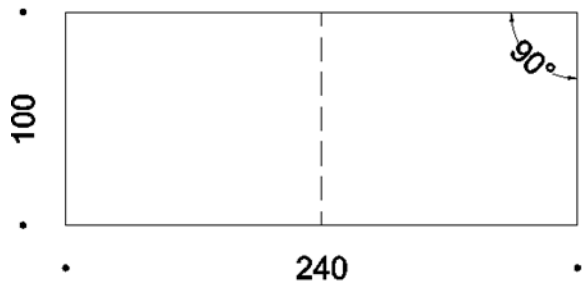
Perfect Sense MDF
th.18 mm
edge in ABS th.1 mm



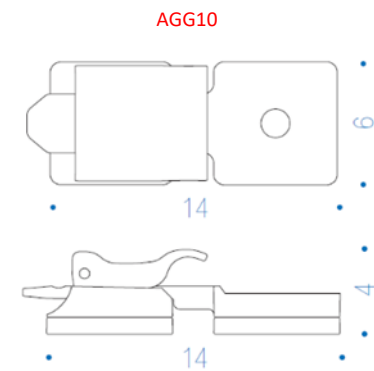
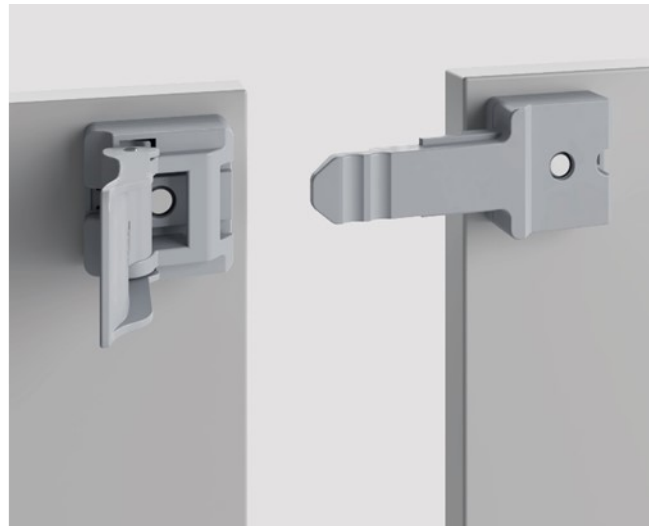
***Writable Laminate** th.20 mm
edge in ABS th.2 mm
sp.2 mm



*Available only for tabletops cm 300x120 straight corners only—RET / Electrical boxes not available with this finishing.



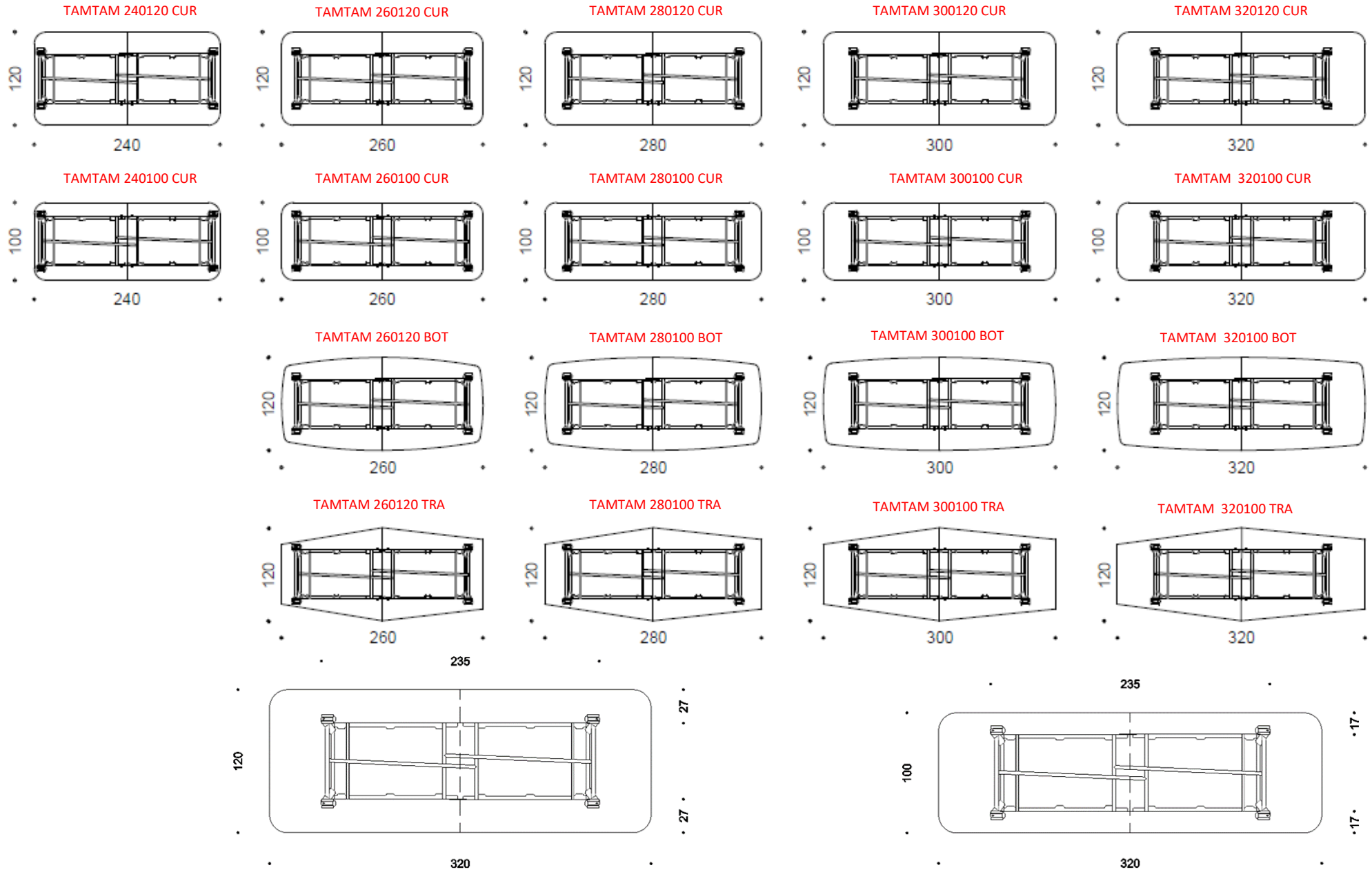
When ordering specify angles type: straight 90° or curved R15.



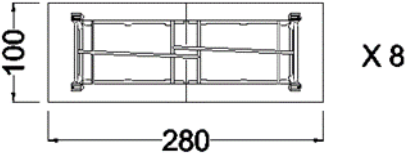
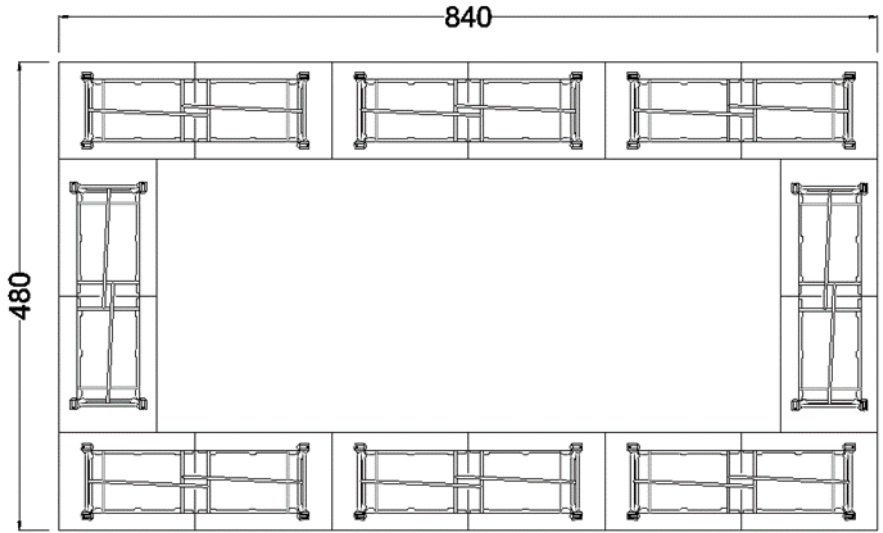
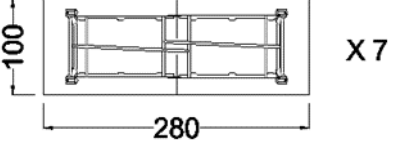
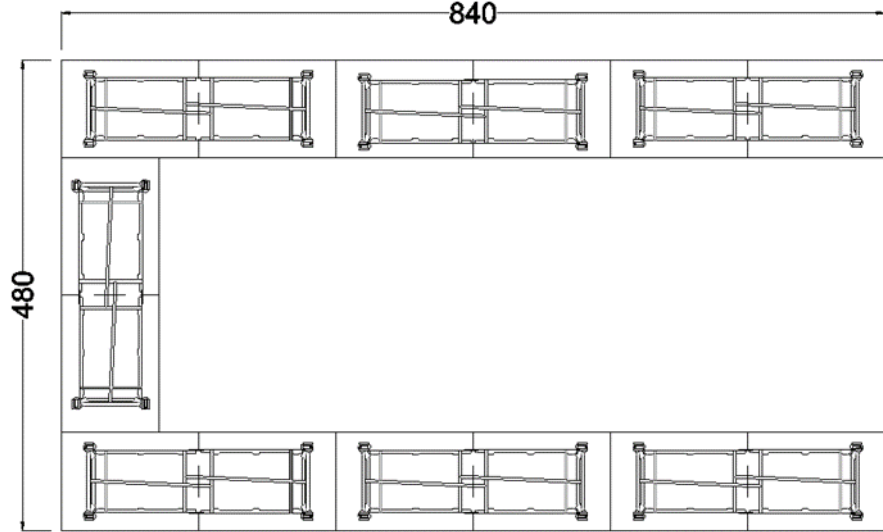
Grey nylon linking device to join tabletops with straight corners 90°.

Shapes and tops dimensions

Table tops available also with 90° straight corners.

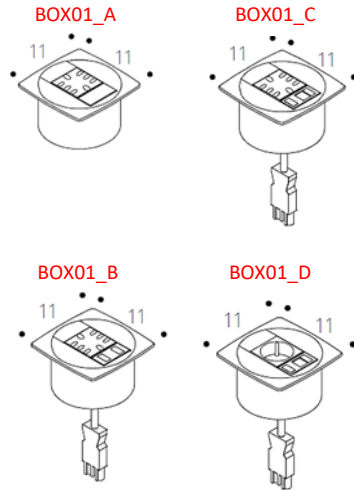


Compositions

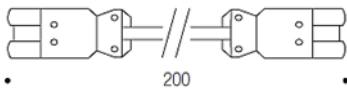




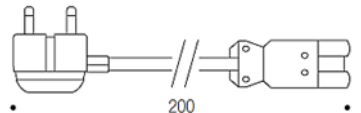
Single module in ABS with electrical and/or multimedia system and cable management.
Available colours Anthracite RAL 7016 and White RAL 9010.



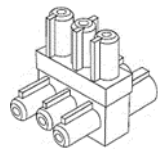
CAV_002
Connection cable between electrical modules 2 mt.
(H05VV-F 3G 1.5 mm² / GST18 - GST18).



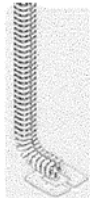
CAV_004
Electric cable 2 mt.
(H05VV-F 3G 1.5 mm² / GST18 - Male).



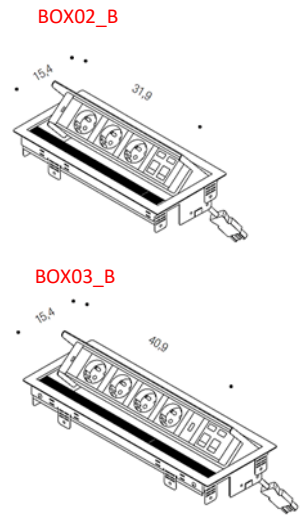
CAV_015
Power distributor with 3 poles.



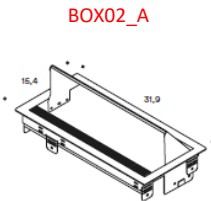
KIT13
Flexible cable guide. Polycarbonate vertebra frame with steel base. Color Anthracite RAL 7016.



Steel box for 4 or 6 module with electrical and/or multimedia system.
Available colours Black RAL9017, Grey RAL9006 and White RAL 9016.



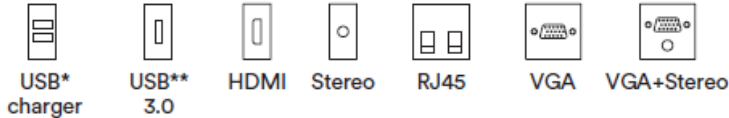
Painted steel cable management resealable module.
Available colours Black RAL9017, Grey RAL9006 and White RAL 9016.



National and International Sockets

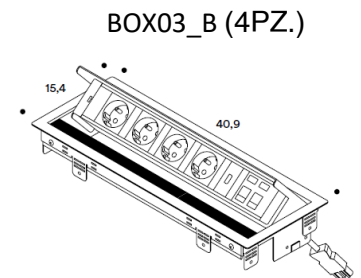
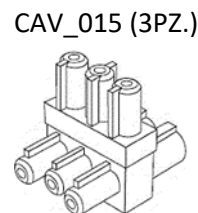
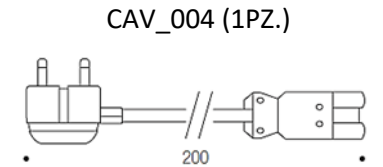
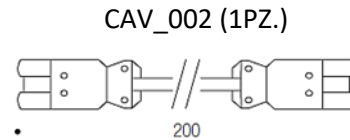
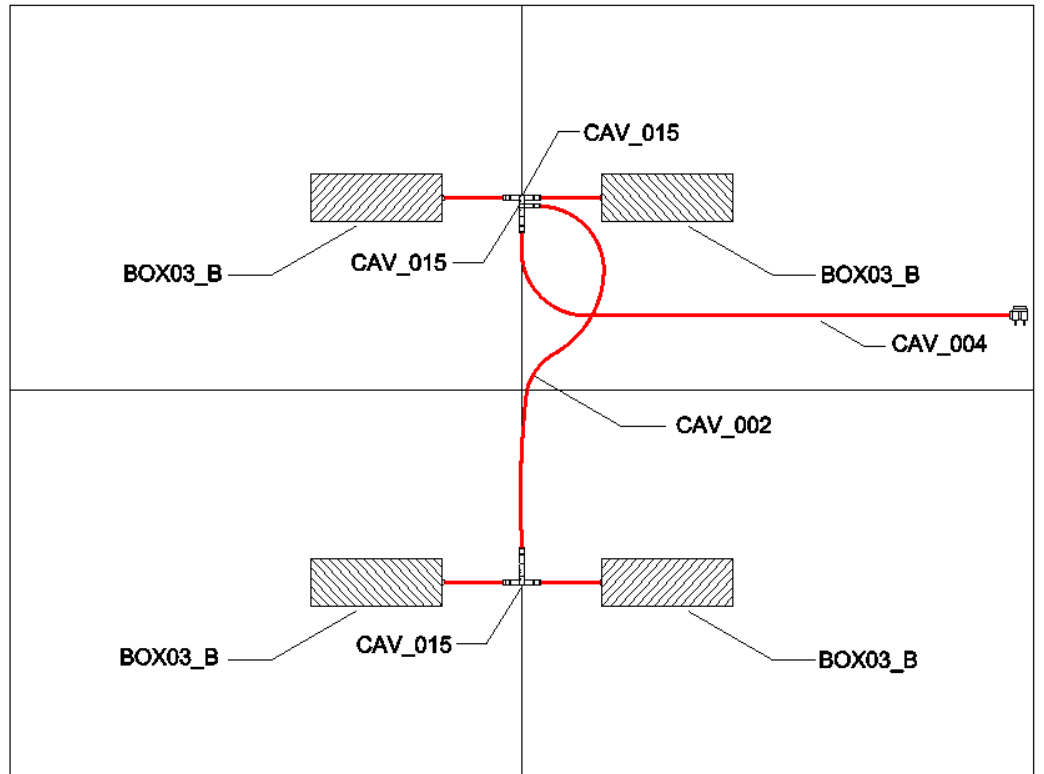
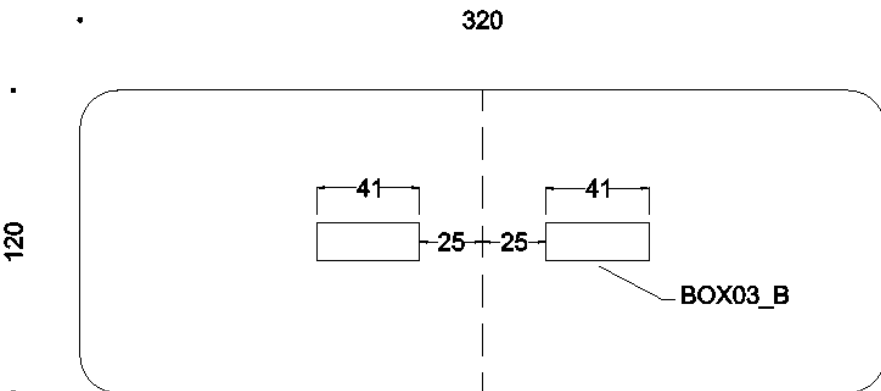
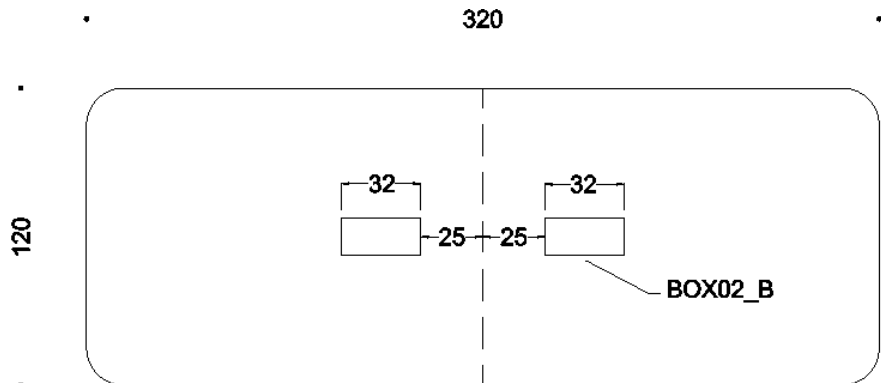
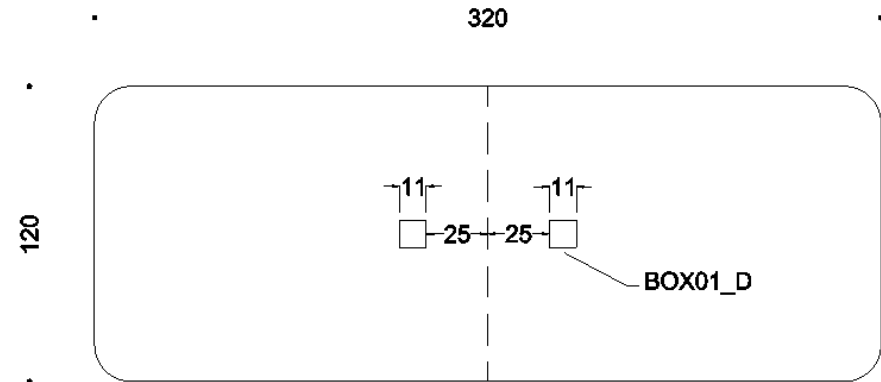


Multimedia Accessories



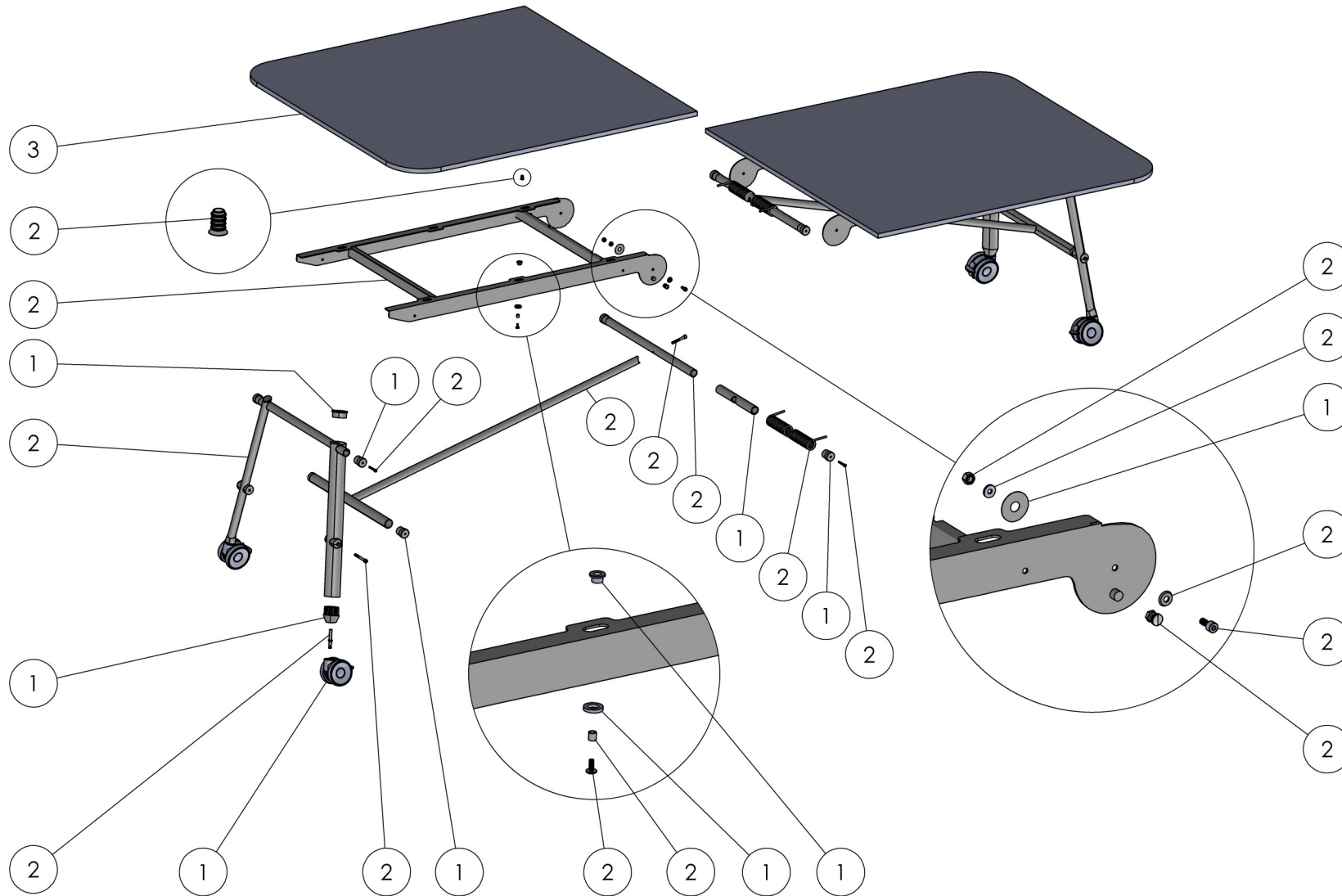
* USB charger only charger
** USB 3.0 only data

Position electrical and/or multimedia modules



DISASSEMBLABILITY OF THE PRODUCT

1	PLASTIC
2	METAL
3	WOOD



METAL PARTS

Certification of compliance in accordance with Directive 2011/617/UE on the restriction of the use of certain hazardous substances in electrical and electronic equipment (ROHS II), delegated Directive 2015/863/UE amending Annex II to Directive 2011/65/UE concerning the list of restricted substances (ROHS III) and Regulation No 1097/2006 concerning the Registration, Evaluation, Authorisation and Restriction of Chemicals (REACH).

PAINTED PARTS

Certification of compliance in accordance with EN ISO 11890-2:2013, Paints and varnishes - Determination of volatile organic compound (VOC) content — Part 2

PACKAGING

From suppliers certified FSC® or PEFC.

RECYCLING OF THE PRODUCT

Once decommissioned, avoid release into the environments. Recyclable product separating its components.

CLEANING

For the metal parts, we recommend to use only a damp cloth with alcohol and to dry everything very well after cleaning.

For painted surfaces, please use only a damp cloth with water and neutral liquid detergent. Do not use solvents, trichloroethylene, acetone or ammonia.

WARRANTY

Tam Tam is guaranteed 5 years (full text of warranty on request). An improper use of the product precludes its warranty.

IMPROPER HANDLING

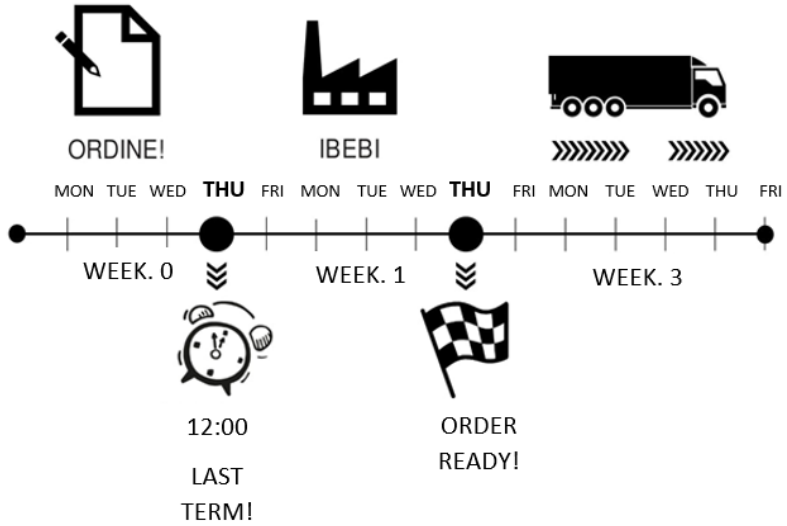
Not allowed: structural changes and/or tampering with the product.

FAST DELIVERY



Available only for tables without electricity and/or multimedia modules.

Available only for tables with MFC, MFC FSC, MFC 3D and MDF PerfectSense tabletops.



UNI EN 1730:2012

Compliance certificate in accordance with
EN 15372:2008, level 3° severe.



The mark of
responsible forestry



Compliance certificate in accordance with
ANSI/BIFMA X5.5-2014.

Inspire. Create. Deliver.